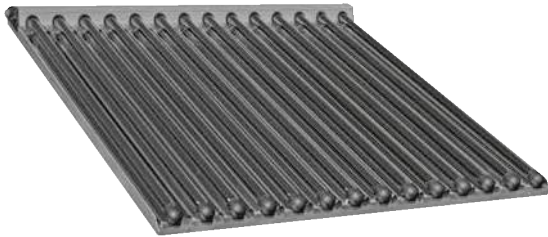


**SCV-25 - Evacuated tube collector - 2,5m²**SOLAR
KEYMARK
certification

- Evacuated tube collector - 2,5 m².
- High efficiency thanks to the high thermal insulation provided by vacuum tubes.
- Highly-selective finish of the copper absorber.
- Collector absorption: >94%.
- Collector stagnation temperature: 268 °C.
- Possibility to connect up to 6 collectors in a series.
- This solar collector conforms to the EN 12975.

Evacuated tube collector - 2,5 m²

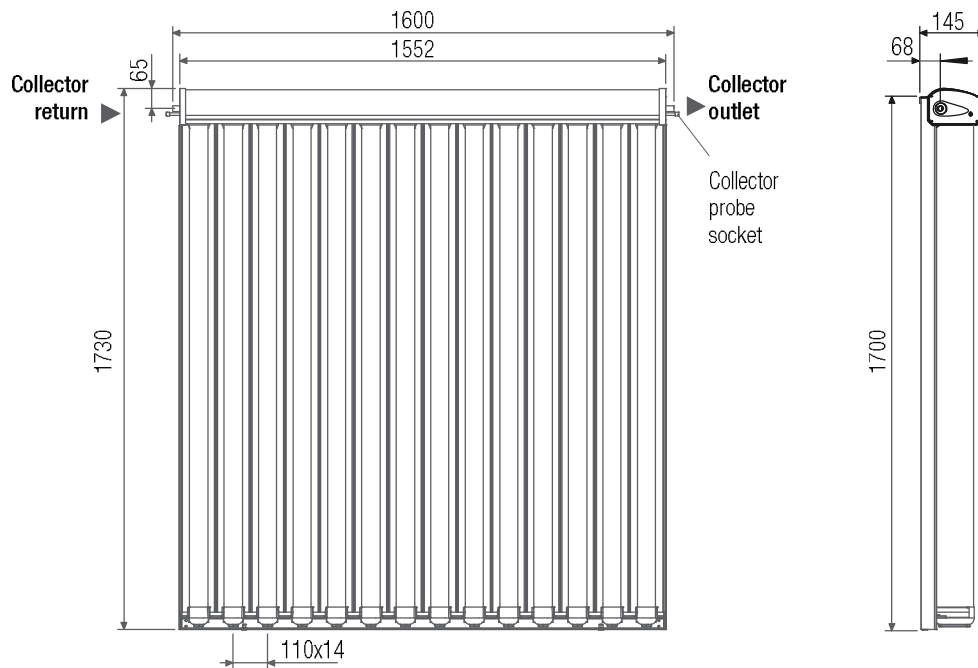
CODE	MODEL	DIMENSIONS H x L (mm)	COLLECTOR TOTAL AREA (m ²)
20026324	SCV-25	1730 x 1600	2,77

Note: SCV-25 evacuated tube collector must be used with inorganic glycol.

Accessories

CODE	DESCRIPTION
20094030	Evacuated premix glycol 20 kg

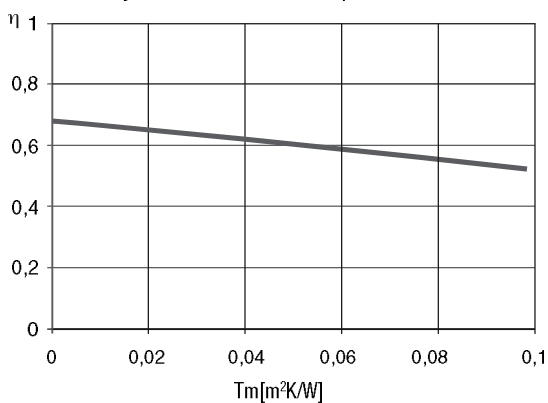
SCV-25 - Evacuated tube collector - 2,5m²



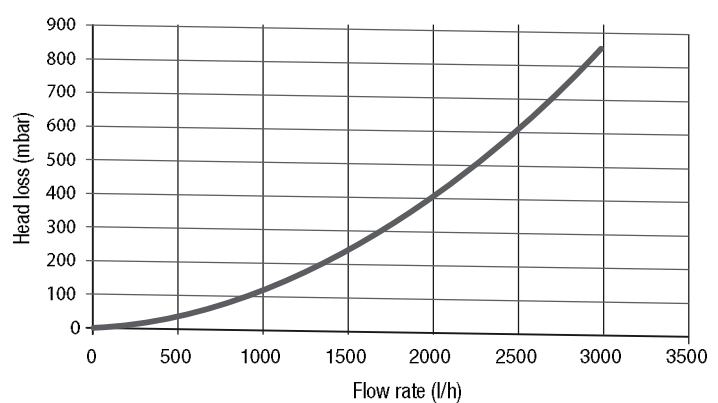
Technical specifications

DESCRIPTION	EVAKUATED TUBE COLLECTOR SCV-25	UOM
Total area	2,77	m ²
Exposed area	2,40	m ²
Effective absorption area	2,69	m ²
Connections	fittings for Ø 18 pipes to be tightened	-
Weight (empty)	52	kg
Liquid content	2,05	l
Recommended flow rate for 1 m ² collector	30	l/h
Absorption (α)	≥ 94	%
Emissions (ϵ)	< 7	%
IAM T (50°)	1,07	-
IAM L (50°)	0,954	-
η coll. (at 1000 W/m ²)	64	%
Maximum permitted pressure	10	bar
Stagnation temperature	268	°C

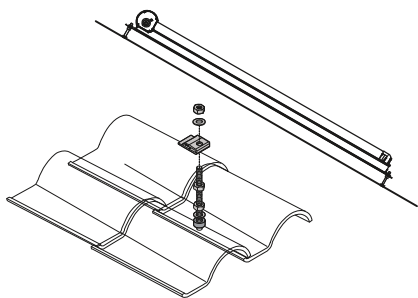
Efficiency curve referred to the exposed area



Head loss in solar collector



Brackets for PITCHED ROOF - complete kits for SCV-25 collector with fittings for copper pipes Ø 18

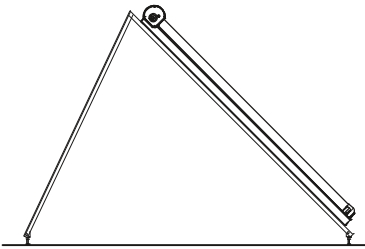


CODE	DESCRIPTION
20027341	Brackets kit for PITCHED ROOF - 1 SCV-25 collector
20027342	Brackets kit for PITCHED ROOF - 2 SCV-25 collectors
20027343	Brackets kit for PITCHED ROOF - 3 SCV-25 collectors
20027344	Brackets kit for PITCHED ROOF - 4 SCV-25 collectors
20027345	Brackets kit for PITCHED ROOF - 5 SCV-25 collectors
20027346	Brackets kit for PITCHED ROOF - 6 SCV-25 collectors

The detailed composition of the complete brackets kits can be found in the composition tables of the following pages.

SCV-25 - BRACKETS complete kits

Brackets for FLAT ROOF - complete kits for SCV-25 collector with fittings for copper pipes Ø 18



CODE	DESCRIPTION
20027335	Brackets kit for FLAT ROOF - 1 SCV-25 collector
20027336	Brackets kit for FLAT ROOF - 2 SCV-25 collectors
20027337	Brackets kit for FLAT ROOF - 3 SCV-25 collectors
20027338	Brackets kit for FLAT ROOF - 4 SCV-25 collectors
20027339	Brackets kit for FLAT ROOF - 5 SCV-25 collectors
20027340	Brackets kit for FLAT ROOF - 6 SCV-25 collectors

The detailed composition of the complete brackets kits can be found in the composition tables of the following pages.

SCV-25 - COMPOSITION TABLE of brackets kits for pitched roof

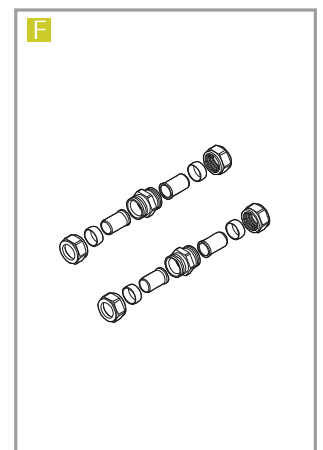
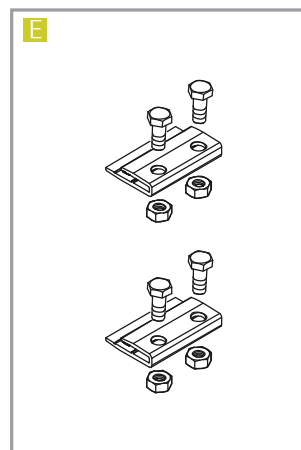
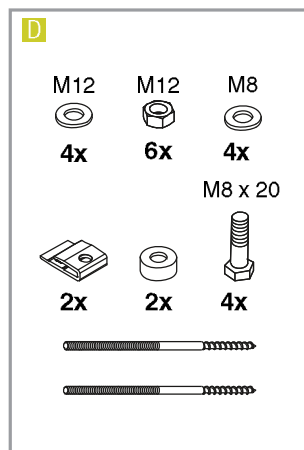
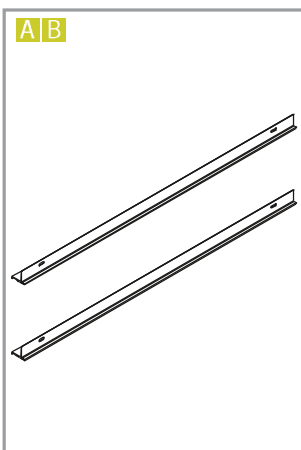
Brackets - primary codes for SCV-25 collector

REF.	CODE	DESCRIPTION
A	20026381	Supporting bars kit for 1 SCV-25
B	20026383	Supporting bars kit for 2 SCV-25
D	20008292	Fixing elements kit for PITCHED ROOF
-	20013464	Undertile fixing elements kit for PITCHED ROOF
E	20008757	Coupling joint kit
F	20027281	Straight fittings kits Ø18 to be tightened

Composition table* of complete brackets kits for PITCHED ROOF for SCV-25 collector

REF.	CODE	DESCRIPTION	20027341	20027342	20027343	20027344	20027345	20027346
			kit for 1 collector	kit for 2 collectors	kit for 3 collectors	kit for 4 collectors	kit for 5 collectors	kit for 6 collectors
A	20026381	Supporting bars kit for 1 SCV-25	1	-	1	-	1	-
B	20026383	Supporting bars kit for 2 SCV-25	-	1	1	2	2	3
D	20008292	Fixing elements kit for PITCHED ROOF	2	3	5	6	8	9
E	20008757	Coupling joint kit	-	-	1	1	2	2
F	20027281	Straight fittings kits Ø18 to be tightened	1	2	2	3	3	4

* This composition table must be read in vertical sense.



SCV-25 - COMPOSITION TABLE of brackets kits for flat roof

Brackets - primary codes for SCV-25 collector

REF.	CODE	DESCRIPTION
A	20026381	Supporting bars kit for 1 SCV-25
B	20026383	Supporting bars kit for 2 SCV-25
D	20026384	Fixing elements kit for FLAT ROOF for SCV-25
E	20008757	Coupling joint kit
F	20027281	Straight fittings kits Ø18 to be tightened

Composition table* of complete brackets kits for FLAT ROOF for SCV-25 collector

RIF.	CODE	DESCRIPTION	20027335 kit for 1 collector	20027336 kit for 2 collectors	20027337 kit for 3 collectors	20027338 kit for 4 collectors	20027339 kit for 5 collectors	20027340 kit for 6 collectors
A	20026381	Supporting bars kit for 1 SCV-25	1	-	1	-	1	-
B	20026383	Supporting bars kit for 2 SCV-25	-	1	1	2	2	3
D	20026384	Fixing elements kit for FLAT ROOF for SCV-25	2	3	5	6	8	9
E	20008757	Coupling joint kit	-	-	1	1	2	2
F	20027281	Straight fittings kits Ø18 to be tightened	1	2	2	3	3	4

* This composition table must be read in vertical sense.

